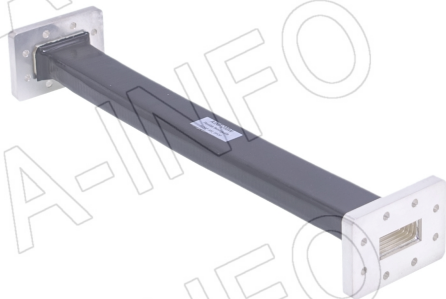


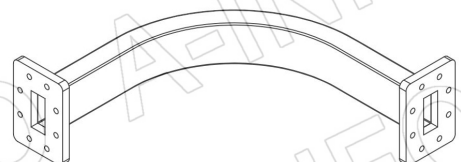
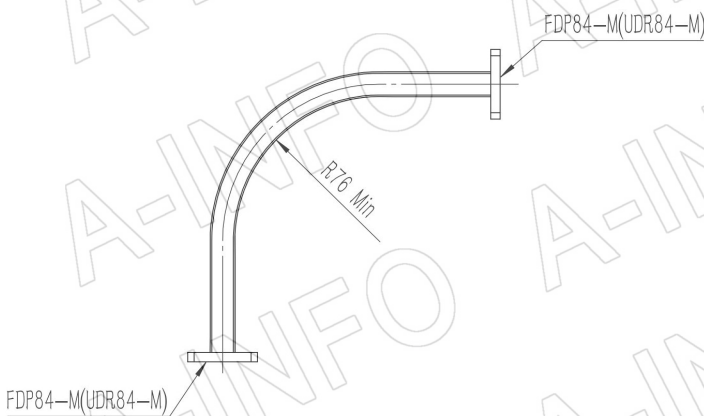
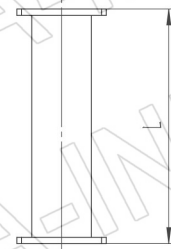
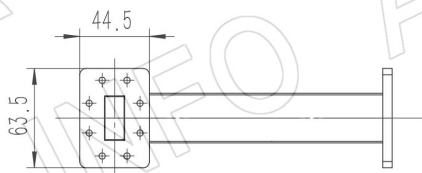
For reference only. See data sheet for the detailed specifications.

Technical Specification



EIA WR	WR112
Frequency Range(GHz)	7.05 – 10.0
Attenuation(dB/PC)	0.2 Max.
VSWR	1.15:1 Max.
Average Power(KW CW)	4
Max. Air Pressure(Mpa)	0.2
Min. E-Bend Radius(mm)	76
Min. H-Bend Radius(mm)	152
Flange	FDP84-M(UDR84-M)
Jacket	Rubber
Operating Temp.(°C)	-55 ~ +85
Material	Cu
Length(mm)	300
Net Weight(Kg)	0.41 Around

Outline Drawing (Size: mm)



AINFO Inc.

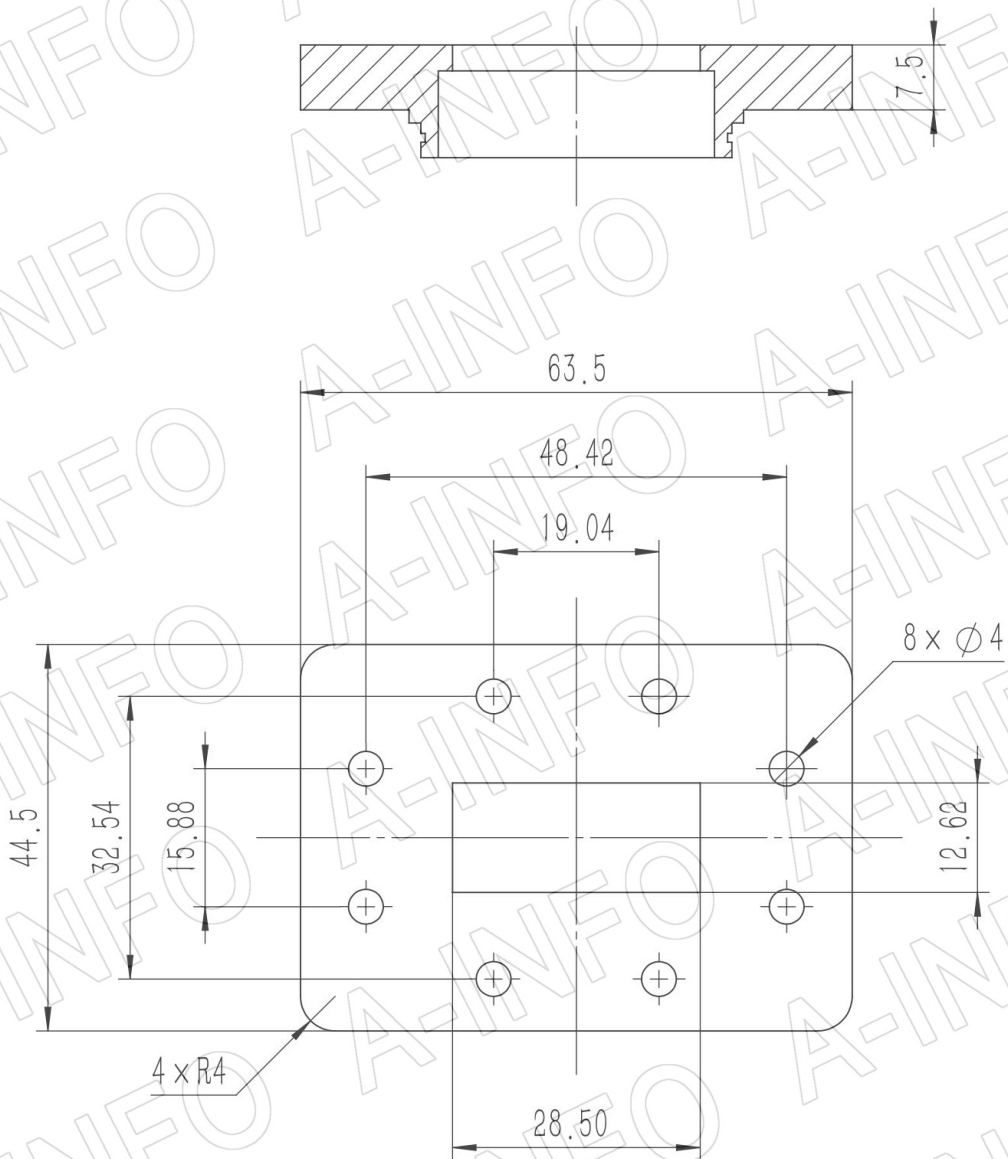
China(Beijing): Tel: (+86) 10-6266-7326,
 China(Chengdu): Tel: (+86) 28-8519-2786,
 USA : Tel: (+1) 949-639-9688,

Page 1 of 3

(+86) 10-6266-7327 Fax: (+86) 10-6266-7379
 (+86) 28-8519-3044 Fax: (+86) 28-8519-3068
 (+1) 949-639-9608 Fax: (+1) 949-639-9670

Website: www.ainfoinc.com
 Email: sales@ainfoinc.com

Flange Drawing (Size: mm)



FDP84-M

AINFO Inc.

China(Beijing): Tel: (+86) 10-6266-7326,
China(Chengdu): Tel: (+86) 28-8519-2786,
USA : Tel: (+1) 949-639-9688,

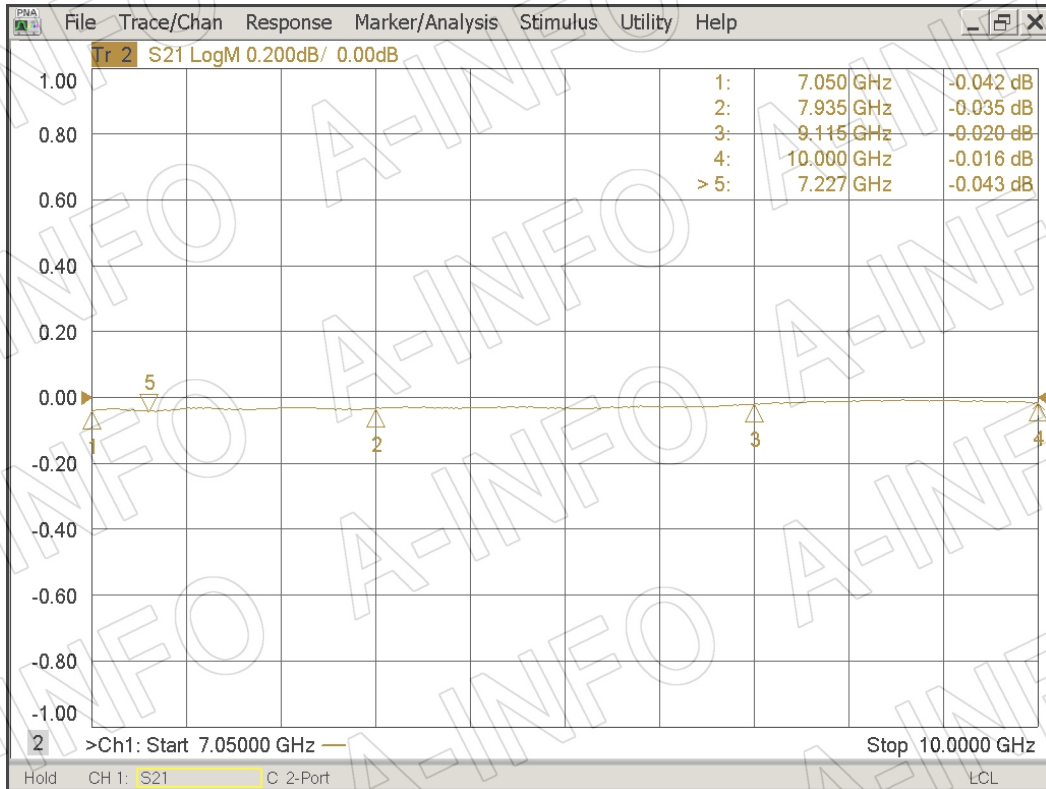
Page 2 of 3

(+86) 10-6266-7327 Fax: (+86) 10-6266-7379
(+86) 28-8519-3044 Fax: (+86) 28-8519-3068
(+1) 949-639-9608 Fax: (+1) 949-639-9670

Website: www.ainfoinc.com
Email: sales@ainfoinc.com

Test Results

Attenuation (I.L.: 0.0430dB/PC Max.)



VSWR

